

Dome Loaded Pressure Regulator

102-A Series

**300 Bar
Max Inlet**

**0-300 Bar
Outlet Range**

**Suitable for
Oxygen service**

**Pilot loading
Option**

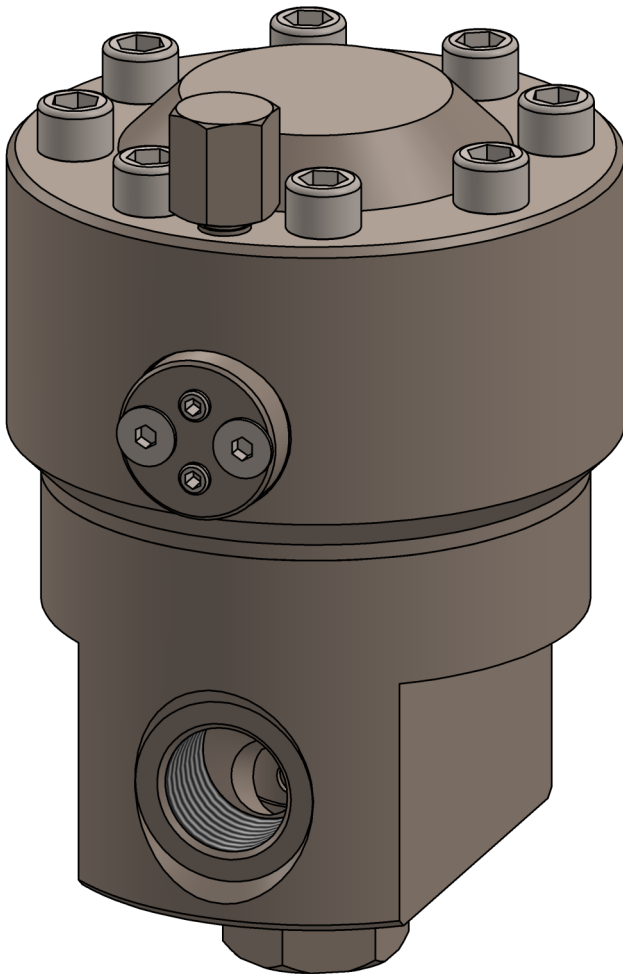
**Inlet line
Loading option**

102 Series—Dome loaded pressure regulator

Presreg Valves 102 series dome loaded regulator is a dome loaded downstream pressure reducing regulator. It's simplistic, proven design and rugged construction help give it excellent reliability and performance over a long service life.

Oxygen compatibility is offered with the aluminium bronze material option. Additional porting, and dome loading options make this regulator a versatile solution for many applications.

Bespoke material and porting configurations can also be supplied. Spares & service kits available.



Specification

Max Inlet Pressure	300 Bar
Outlet Pressure Range	0 — 300 Bar
Cv	3.0
Design Proof Pressure	200% MAWP
Seat Leakage	ANSI/FCI 70-3

Features and benefits

- **Reliable, time proven design**
- **Modular construction allows easy servicing**
- **Stainless steel and aluminium bronze material options available**
- **Option of dome loading configurations**
- **Porting options**
- **Spares available**

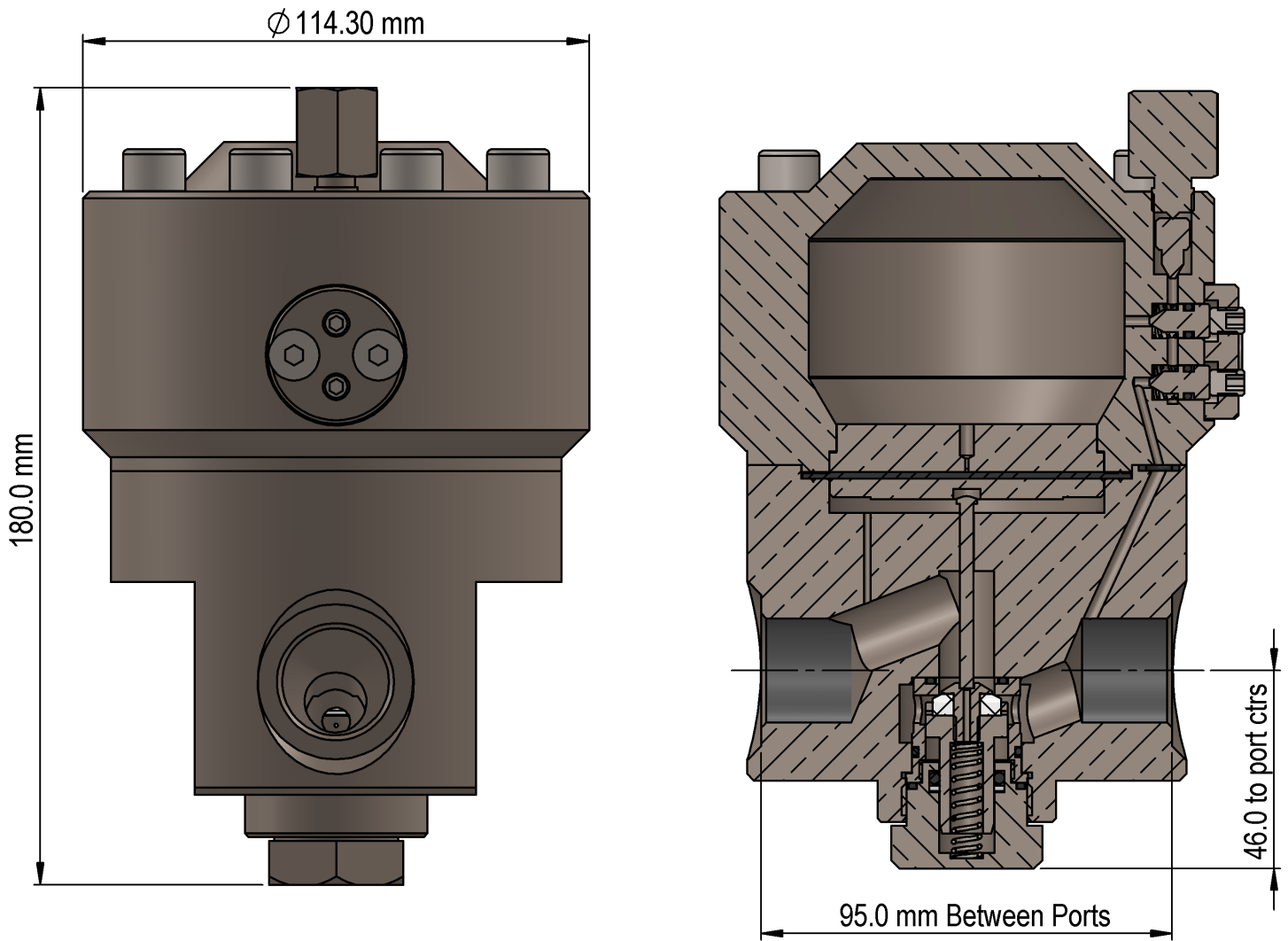
Options

Materials of Construction	Stainless Steel 316 Aluminium Bronze (O2 service)
Porting	1" BSP/NPT 3/4" BSP/NPT 1/2" BSP/NPT
Dome Loading options	Inlet line loaded



Dome Loaded Pressure Regulator

102-A Series



Spares and service kits available, please contact our sales office or visit our website for details.

102 — A0 0 0 0

Material of construction	
1	Stainless Steel 316
2	Aluminium Bronze (O2 Service)
3	Bespoke

Dome loading configuration	
1	Inlet line loaded
2	Pilot line loaded

Port size	
1	1/2"
2	3/4"
3	1"
4	Bespoke

Port thread form	
1	BSP
2	NPT
3	BSPT
4	Bespoke

Please note, Presreg valves reserves the right to alter blah blah blah blurb from old datasheet

JRE Precision Ltd
t/a Presreg Valves

Designed and manufactured in the UK



18 Bakewell Road, Loughborough
Leicestershire, England LE11 5QY

Tel: 01509 610580 Email: info@jreuk.com Web: presreg.com